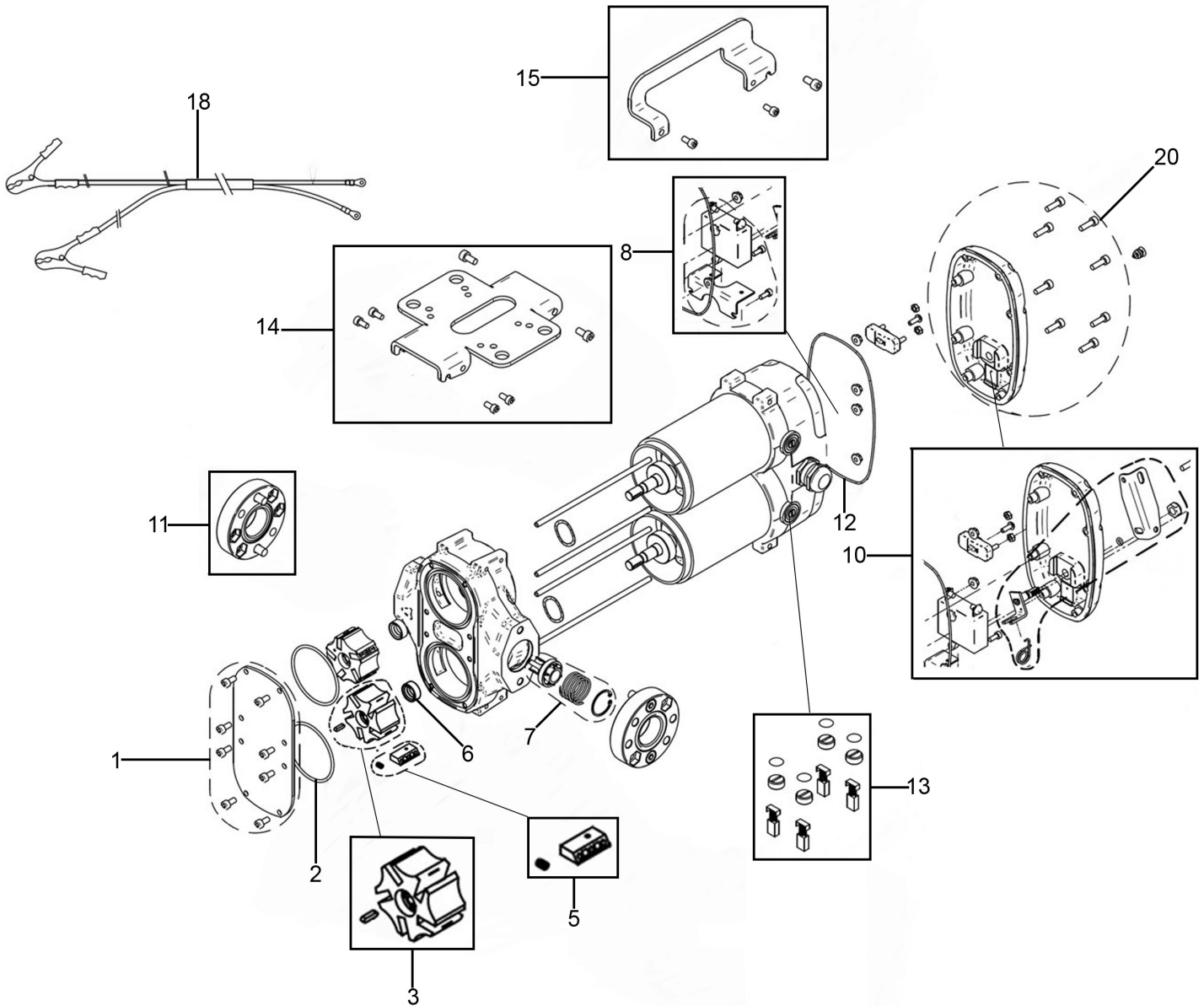


Parts Information:
Diesel & Fluid Transfer Pump 12V High Flow
Model No: TP98.V2



Item	Part No.	Description
1	500/9893	Chamber Cover
2	500.9963	Gasket
3	500.3282	Rotor (c/w Key)
5	500.1528-1	Vane Set (c/w Springs)
6	500.0132	Sealing Ring
7	500.2695	Bypass Valve
8	500.3959	Switch, Toggle (c/w Bracket)
10	500.3962	Pin, Switch

Item	Part No.	Description
11	500/9180	Flange Kit
12	500.3958	O-Ring
13	500.4924	Motor Brushes
14	500.4140	Pump Base Kit
15	500.4200	Kit Handle Bi-Pump
18	500.4334	Cable
20	500.4991	Cover (c/w Screws)
--	500.7746	Non-Return Valve (c/w Strainer)(Not Shown)

NOTE: It is our policy to continually improve products and as such we reserve the right to alter data, specifications and component parts without prior notice. There may be alternative versions of this product, please contact us should you require this information.

IMPORTANT: No liability is accepted for incorrect use of product. Spare parts must be fitted by a competent person

WARRANTY: Guarantee is 12 months from purchase date, proof of which will be required for any claim.